

DC Fan Motors

# San Ace    60mm



**General specifications**

Motor protection system ····Current cut system (with reverse-connection protection)

Dielectric strength ······50/60 Hz, 500 VAC, 1 minute  
(between lead conductor and frame)

Operating thermally range -10°C to +70°C (non-condensing)

Life expectancy ········40,000 hours  
(survival rate 90% at 60°C, rated voltage, and continuously run in a free air state)

Fan power lead ········G, S speeds, ⊕ red, ⊖ black

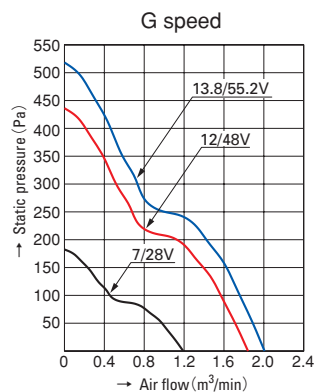


**38mm thick Specifications**

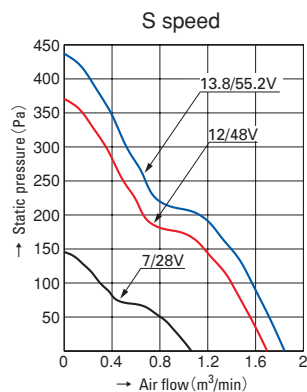
Model No	Rated voltage (V)	Operating voltage range (V)	Rated current (A)	Rated input (W)	Rated rotating speed (min <sup>-1</sup> )	Air flow (m <sup>3</sup> /min) (CFM)	Static pressure (Pa)	Noise (dB[A])	Mass (g)
9G0612G102(1021)	12	7.0~13.8	1.54	18.5	11,800	1.84 65	435	58	110
9G0612S102(1021)			1.10	13.2	10,800	1.70 60	370	56	
9G0648G102(1021)	48	28~55.2	0.35	16.8	11,800	1.84 65	435	58	
9G0648S102(1021)			0.29	13.9	10,800	1.70 60	370	56	

The numbers in ( ) represent ribless models.

**Typical air flow and static pressure characteristics**

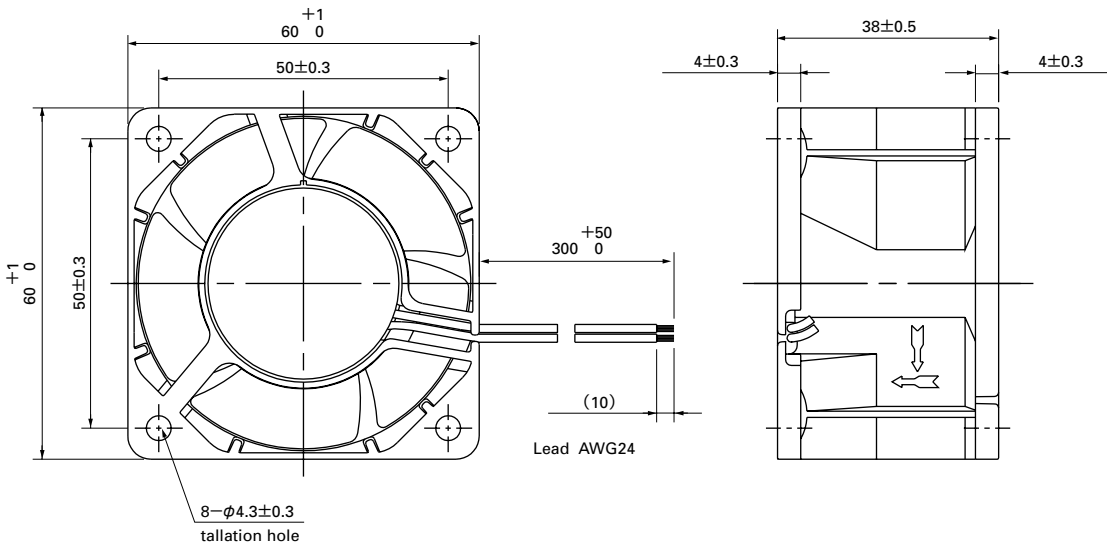


9G0612G102 (1021)  
9G0648G102 (1021)



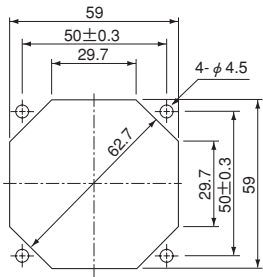
9G0612S102 (1021)  
9G0648S102 (1021)

**Dimensions (unit : mm)**



**Reference dimensional diagram for installation holes (unit : mm)**

Discharge sides · Suction sides



60mm

**山洋電気株式会社**  
**SANYO DENKI CO., LTD.**

本社 〒170-8451 東京都豊島区北大塚1-15-1 電話(03) 3917 5151(大代)  
 Headquarters 1-15-1, KITA OTSUKA, TOSHIMA-KU, TOKYO, JAPAN Phone : +81 3 3917 2223 Fax : +81 3 3917 4521  
 Home Page: <http://www.sanyodenki.co.jp>

2003.6 Rev.A