

DC Fan Motors

SAN ACE B52 (52×15)

SAN ACE B52

General specifications

Frame, Impeller Plastics
 Motor Protection System ··· Current Cut System(with reverse polarity protection)
 Dielectric Strength 50/60 Hz AC500 V 1 minute
 (between lead conductor and frame)
 Operating Temperature..... -20 °C to +60 °C (Non-condensing)
 Life Expectancy G Speed: 20,000 hours M, F, H Speed : 25,000 hours
 (Survival Rate 90% at 60°C, rated voltage and continuously run in a free air state)

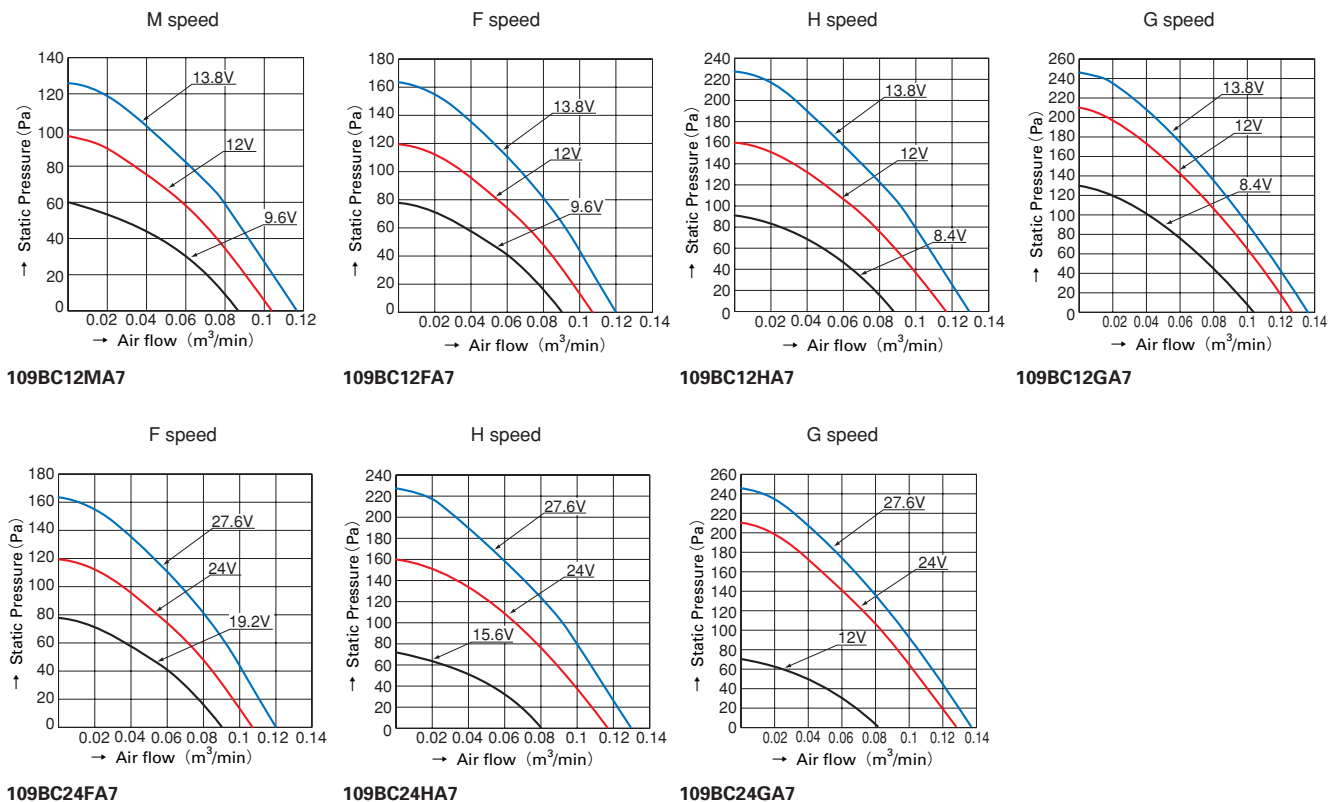


Blower

Specifications

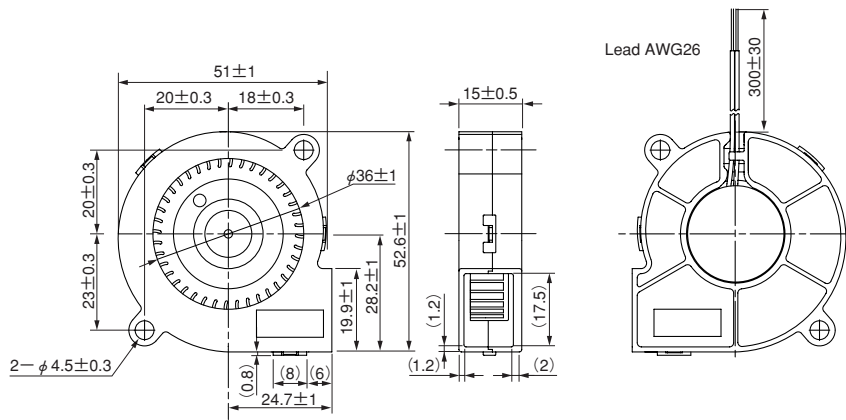
Model No	Rated voltage (V)	Operating voltage range (V)	Rated current (A)	Rated input (W)	Rated rotating speed (min ⁻¹)	Air flow (m ³ /min) (CFM)	Static pressure (Pa)	Noise (dB[A])	Mass (g)
109BC12MA7	12	9.6 ~ 13.8	0.09	1.1	4500	0.096 3.4	96	35	30
109BC12FA7			0.12	1.5	5000	0.106 3.7	119	38	
109BC12HA7			0.15	1.8	5500	0.117 4.1	160	40	
109BC12GA7			0.19	2.3	6100	0.125 4.4	205	43	
109BC24FA7	24	19.2 ~ 27.6	0.06	1.5	5000	0.106 3.7	119	38	
109BC24HA7			0.09	2.2	5500	0.117 4.1	160	40	
109BC24GA7			0.1	2.4	6100	0.125 4.4	205	43	
			12.0 ~ 27.6						

Typical air flow and static pressure characteristics



52mm

Dimensions (unit : mm)



Blower

52mm

Notice

- The products shown in the catalog are subject to Japanese Export Control Law. Diversion contrary to the law of exporting country is prohibited.
- To protect against electrolytic cooling corrosion that may occur in locations of strong electromagnetic noise, we provide fans that are unaffected by electrolytic corrosion. Alternative measures to protect against electrolytic corrosion may include metallic finger guards or other metallic attachments. Please contact us for details.

SANYO DENKI