

DC San Ace

Blower

76mm
San Ace B76



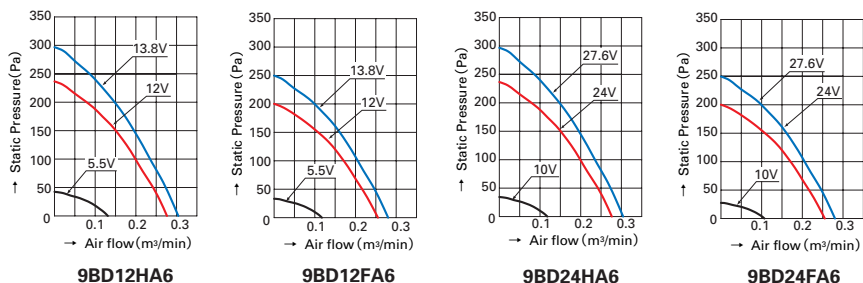
General specifications

- Frame, ImpellerPlastics
- Motor Protection SystemCurrent Cut System(with reverse polarity protection)
- Dielectric Strength50/60 Hz AC500 V 1 minute
(between lead conductor and frame)
- Operating Temperature-20 °C to +70 °C (Non-condensing)
- Life Expectancy40,000 hours(Survival Rate 90% at 60°C,
rated voltage and continuously run in a free air state)
- Fan power lead⊕ red, ⊖black

20mm thick
Specifications

Model No.	Rated voltage (V)	Operating voltage range (V)	Rated current (A)	Rated input (W)	Rated rotating speed (min ⁻¹)	Air flow (m ³ /min) (CFM)	Static pressure (Pa)	Noise (dB [A])	Mass (g)
9BD12HA6	12	5.5~13.8	0.24	2.9	4,400	0.27 9.5	230	42	50
9BD12FA6			0.20	2.4	4,050	0.25 8.8	200	40	
9BD24HA6	24	10.0~27.6	0.12	2.9	4,400	0.27 9.5	230	42	
9BD24FA6			0.10	2.4	4,050	0.25 8.8	200	40	

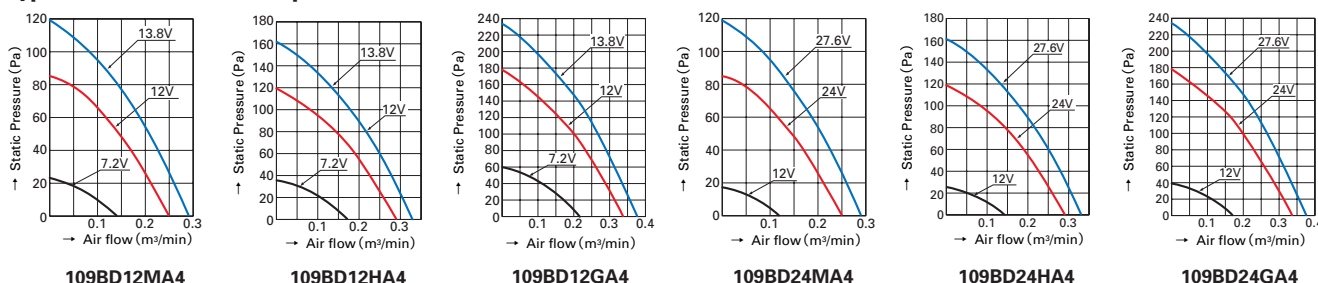
Typical air flow and static pressure characteristics



25mm thick
Specifications

Model No.	Rated voltage (V)	Operating voltage range (V)	Rated current (A)	Rated input (W)	Rated rotating speed (min ⁻¹)	Air flow (m ³ /min) (CFM)	Static pressure (Pa)	Noise (dB [A])	Mass (g)
109BD12MA4	12	7.2 ~ 13.8	0.18	2.2	3400	0.25 8.8	85	39	95
109BD12HA4			0.23	2.8	3800	0.29 10.2	119	43	
109BD12GA4			0.33	4.0	4500	0.34 12.0	178	48	
109BD24MA4	24	12 ~ 27.6	0.09	2.2	3400	0.25 8.8	85	39	
109BD24HA4			0.12	2.9	3800	0.29 10.2	119	43	
109BD24GA4			0.19	4.6	4500	0.34 12.0	178	48	

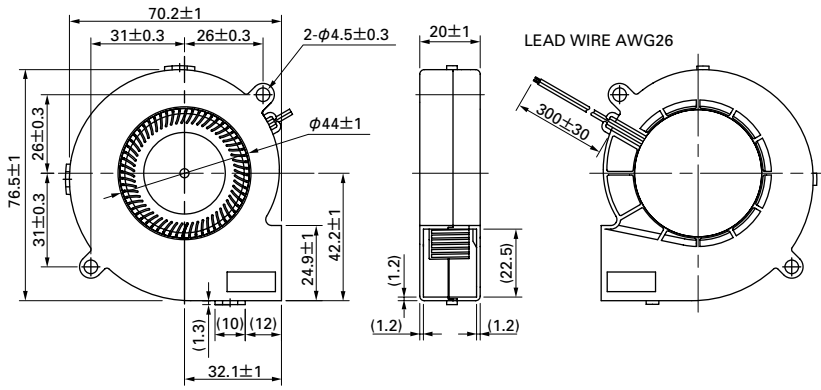
Typical air flow and static pressure characteristics



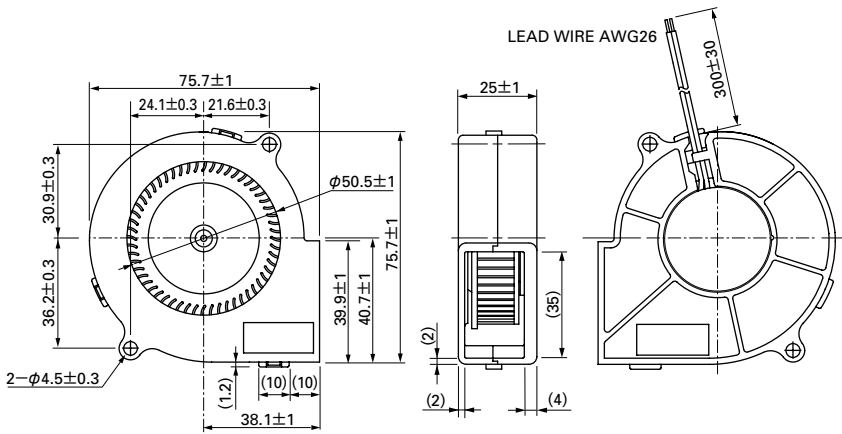
Blower

76mm

Dimensions (unit : mm)



20mm thick



25mm thick

Blower

76mm

Notice Products listed on this catalog fall into the category of the cargoes specified in the Export Trade Control Ordinance (Attached Table1, Item 16). For the export of the above products, exporters are requested to implement export registration to the competent authorities, together with the study about "Information Requirements and Objective Requirements" under the Japanese equivalent of catchall controls

SANYO DENKI

1-15-1, Kita-otsuka, Toshima-ku, Tokyo 170-8451, Japan. PHONE : +81 3 3917 5151 Home Page: <http://www.sanyodenki.co.jp>

2004.5 Rev.E