

Brushless Servomotors MH4...MH5 (Pole Winding) $U_{cc}=320$ VDC

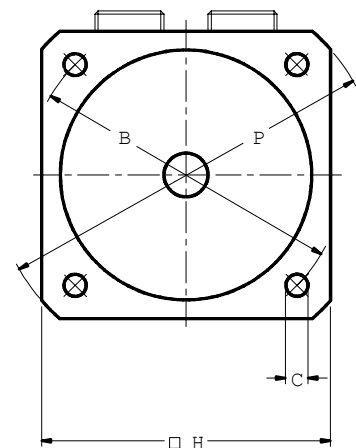
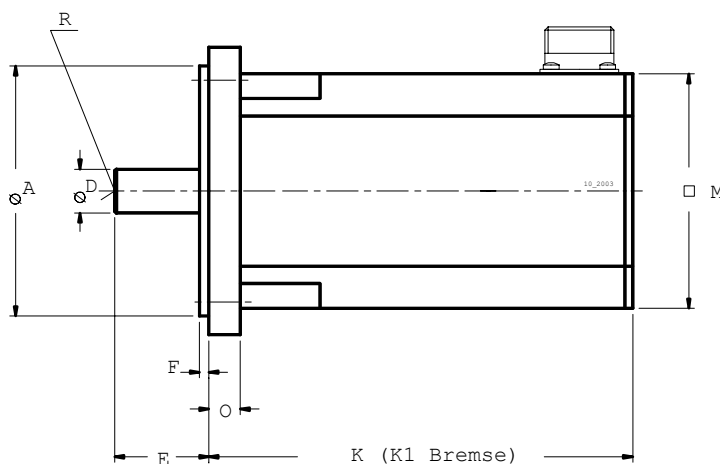
Features: Resolver (Sinusoidal commutation)
Nd-Fe-B Magnet
Connectors
Pole Winding , highest torque density

Options: Holdingbrake
Key way DIN 6885
Special shaft/flange
Encoder

Specification			MH4-0370	MH4-0570	MH4-0780	MH5-1050	MH5-1350	MH5-1700	MH5-2500*
Continous stall torque	M_0	Nm	3,7	5,7	7,8	10,5	13,5	17,0	25,0
Rated speed	N_n	rpm	3000	3000	3000	3000	3000	3000	3000
Continous stall current	I_0	A	5,5	8,3	10,1	15,7	18,3	23,6	29,6
Rated torque	M_N	Nm	3,0	4,3	5,5	7,8	10,1	13,5	20,0
Rated current	I_N	A	4,7	6,6	7,5	12,3	14,5	19,7	24,2
Torque constant	K_T	Nm/A	0,67	0,69	0,77	0,67	0,74	0,72	0,84
Max peak torque	M_{max}	Nm	11,1	18,5	27	32	41	51	75
Rotor inertia	J	kgcm ²	1,7	2,6	3,5	6,8	8,3	11,0	15,3
Mass	m	kg	4,3	5,5	6,7	9,5	10,8	13,5	18,5

- Other windings / rated speeds are available as option; Tolerance +-10%

Protection IP54, optional IP65
Electrical Connection Screw Connectors (2 pcs)
Thermal motor protection PTC, optional Thermal switch 145 °C, KTY or NTC
Rated values Acc. to VDE 0530, 1000 m altitude, $T_{\Delta}=100$ K, $T_{amb}=40$ °C, mounted on heat sink
Servo amplifier Stator winding for DC bus voltage $U_{cc} = 320$ VDC. Other voltages optional



Dimensions	A _{j6}	B	C	D _{k6}	E	F	H	K	K1	M	O	P	R
MH4-0370	95	115	9	19	40	3	97	125	166	97	10	130	M5x14
MH4-0570	95	115	9	19	40	3	97	155	196	97	10	130	M5x14
MH4-0780	95	115	9	19	40	3	97	185	226	97	10	130	M5x14
MH5-1050	130	165	12	24	50	3,5	142	173	224	127	11	188	M8x20
MH5-1350	130	165	12	24	50	3,5	142	201	252	127	11	188	M8x20
MH5-1700	130	165	12	24	50	3,5	142	231	282	127	11	188	M8x20
MH5-2500	130	165	12	24	50	3,5	142	291	342	127	11	188	M8x20